

PCCP101-103 INSTALLATION GUIDE

GENERAL

Roof curbs are shipped unassembled. Field assembly, squaring, leveling and mounting on the roof structure are the responsibility of the installing contractor. All curb installations must comply with local codes and should be done in accordance with the established guidelines of the National Roofing Contractors Association.

1. All required hardware necessary for the assembly of the sheet metal curb is included with the curb accessory.
2. Full perimeter type curb accessories are available. Full perimeter curbs include duct connection frames to be attached to the curb. Cantilever type curbs are not available from the factory.
3. Curbs must be supported on at least two parallel sides by roof members. Ensure that roof members do not penetrate supply and return duct opening areas.
4. Curb insulation, cant strip, flashings and general roofing material are to be furnished by the roofing contractor. Wood nailer strip and curb gasket is to be furnished with the curb accessory.

1. Check package contents to ensure all the pieces are present.
2. Position perimeter pieces as depicted in Figure 1 and Figure 2 with wood to the outside.
3. Insert hooked tabs into slots and press down firmly.
4. Level and square the curb. To level the curb, stretch a diagonal line equipped with a line level from CE to BA. There must not be more than 1/8" spacing between the two line and the B and F sides at the point of intersection. Shim the curb unit it is level.

!CAUTION!

PIECES ARE DIFFICULT TO DISASSEMBLE.
PLEASE ENSURE PROPER LOCATION BEFORE
SECURING THE TAB TO THE SLOT.

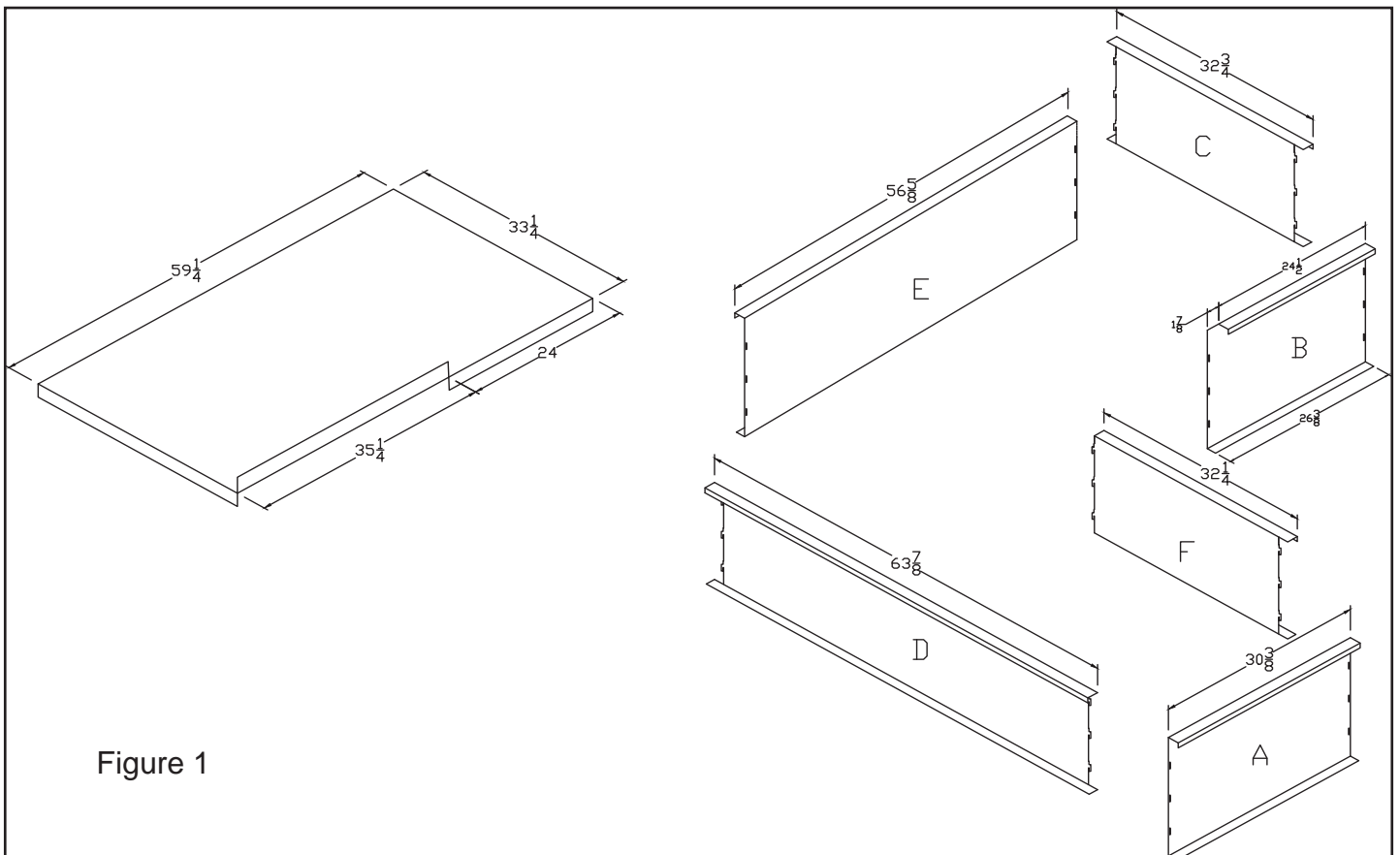
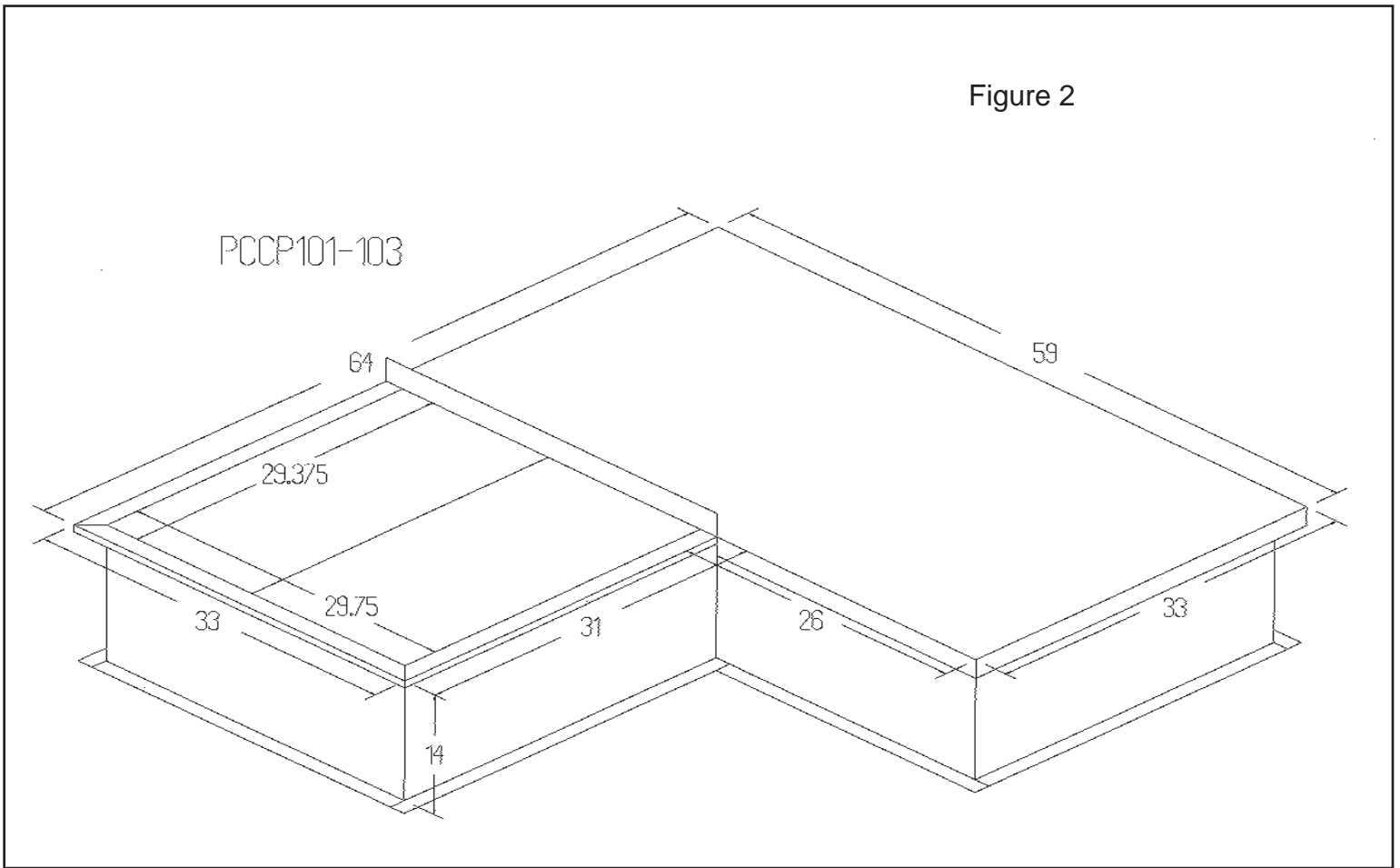


Figure 1

Figure 2

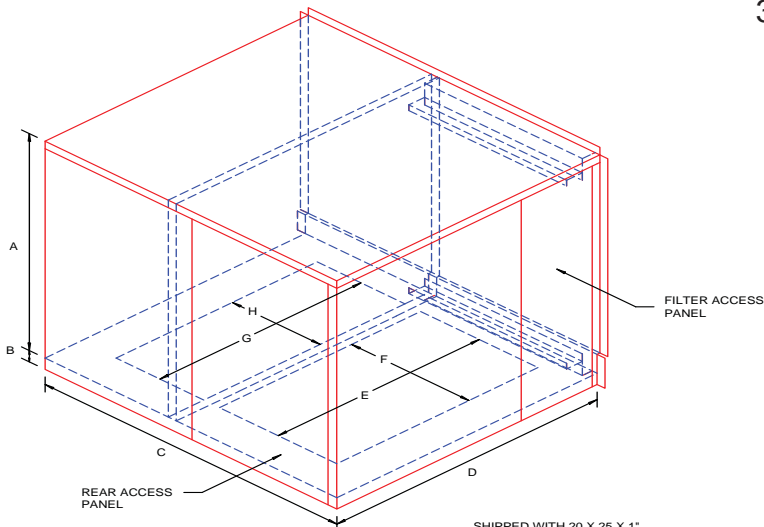


VERTICAL DISCHARGE DUCT CONNECTIONS

INSTALLATION

This curb is designed to be used in conjunction with the PCP101-103 downflow plenum kit. The plenum kit includes ductflanges on the outlet side for both supply and return.

1. Place assembled curb in proper position over roof opening. Verify curb is square and level per instructions above.
2. Attach curb to roof surface following industry accepted practices.
3. Install insulation, cant strip, roofing materials, flashing and counterflashing in accordance with the established guidelines of the National Roofing Contractors Association. The finished roof, including counterflashing around the curb, must be installed prior to setting the unit on the curb.



PARTS LIST

- 6) 14" Frame Pieces
- 1) Platform

	A	B	C	D	E	F	G	H
PCP101-103	28.75	1.5	37	33	25.5	13.875	25.5	11.125